

SECURITY PRINTING AND MINTING CORPORATION OF INDIA LTD.

16TH FLOOR, JAWAHAR VYAPAR BHAWAN, JANPATH, NEW DELHI-110001

Phone: 011-43582244, 0120-4758000 Fax: 0120-4758010 Email:info@spmcil.com

Website: www.spmcil.com

Tender document for Commissioning of MPLS connectivity between Data Centre Noida, Disaster Recovery Centre Hyderabad and Other SPMCIL Locations

Tender No.SPMCIL/IT/112A-HW/10/Vol/XI/2018

Dated 21/02/2018

This Tender Document Contains 26 Pages.

Details of Contact person in SPMCIL regarding this tender:

Mr. Chandra Kumar Kushwaha

Deputy Manager (IT)

Security Printing and Minting Corporation of India Limited

16th Floor, Jawahar Vyapar Bhawan

Janpath, New Delhi – 110001

Phone: 011-43582244

Fax: 0120-4758010

Email: info@spmcil.com/ckumar@spmcil.com

Contents		Page No
Section I	Notice Inviting Tender (NIT)	1
Section II	General Instructions to Tenderer (GIT)	3
	Part I: General Instructions Applicable to all Types of Tenders	
	Part II: Additional General Instructions Applicable to Specific Types of Tenders	
Section III	Special Instructions to Tenderers (SIT)	4
Section IV	General Conditions of Contract (GCC)	6
Section V	Special Conditions of Contract (SCC)	7
Section VI	List of Requirements	8
Section VII	Technical Specifications	13
Section VIII	Quality Control Requirements	14
Section IX	Qualification/ Eligibility Criteria	15
Section X	Tender Form	16
Section XI	Price Schedule	17
Section XII	Questionnaire	23
Section XIII	Bank Guarantee Form for Performance Security	24
Section XIV	Letter of Authority for attending a Bid Opening	25
Section XV	MANDATORY CHECKLIST	26

Section I: Notice Inviting Tender (NIT)
SECURITY PRINTING AND MINTING CORPORATION OF INDIA LTD.
 16TH FLOOR, JAWAHAR VYAPAR BHAWAN, JANPATH, NEW DELHI-110001
 Phone: 011-43582244, 0120-4758000 Fax: 0120-4758010
 Email: info@spmcil.com Website: www.spmcil.com

Tender Sr. No. SPMCIL/IT/112A-HW/10/Vol/XI/2018

Date 21/02/2018

Sealed tenders are invited from eligible and qualified tenderers for “Commissioning of MPLS connectivity between Data Centre Noida, Disaster Recovery Centre Hyderabad and Other SPMCIL Locations.”

Brief Description of Services	Earnest Money (in ₹)
Contract for Commissioning of MPLS connectivity between DC, Noida, DRC Hyderabad and Other SPMCIL Locations	Rs. 4,24,800/- (Rs. Four lakh twenty four thousand eight hundred only)
Type Of Tender (Two Bid/ PQB/ EOI/ RC/ Development/ Indigenization/ Disposal of Scrap/ Security Item etc.)	Three Bid National Competitive Bidding system with PQB, Techno-Commercial & Financial Bid
Dates of sale of tender documents:	From 21/02/2018(9:30am) to 14/03/2018(3:00 pm) during office hours
Place of sale of tender documents	SECURITY PRINTING AND MINTING CORPORATION OF INDIA LTD. 16 TH FLOOR, JAWAHAR VYAPAR BHAWAN, New Delhi JANPATH, NEW DELHI-110001
Closing date and time for receipt of tenders	14/03/2018 by 3.00 PM
Place of receipt of tenders	SECURITY PRINTING AND MINTING CORPORATION OF INDIA LTD. 16 TH FLOOR, JAWAHAR VYAPAR BHAWAN, JANPATH, NEW DELHI-110001
Date and time of PQB / Techno-Commercial Bid / Price Bid opening	1) 14/03/2018 at 3.30 PM for PQB 2) For Techno-Commercial Bid: - will be intimated later on to those firms who qualify in PQB. 3) For Price Bid: - will be intimated later on to those firms who qualify in Techno-Commercial Bid.
Place of opening of tenders	SECURITY PRINTING AND MINTING CORPORATION OF INDIA LTD. 16 TH FLOOR, JAWAHAR VYAPAR BHAWAN, JANPATH, NEW DELHI-110001
Nominated Person/ Designation to Receive Tenders (Clause 21.1 of GIT)	Dy.Manager(IT) Security Printing and Minting Corporation of India Limited, 16th Floor, Jawahar Vyapar Bhawan, Janpath, New Delhi – 110001

- Interested tenderers may obtain further information about this requirement from the above office selling the documents. They may also visit our website mentioned above for further details.
- EMD in the form of account payee Demand Draft/ Bankers Cheque/ Fixed Deposit Receipt/Bank Guarantee (As per Section XIII) in favour of “**Security Printing and Minting Corporation of India Limited, New Delhi**” is to be furnished along with PQB from any scheduled commercial bank, in acceptable form otherwise the tender will not be considered

SBD: Section I: Notice Inviting Tender (NIT)

- and will be liable to be rejected.
3. Tenderer may also download the tender documents from the web site **www.spmcil.com** and submit its tender by utilizing the downloaded document, along with the required non-refundable fee as mentioned in Para 2 above.
 4. Tenderers shall ensure that their tenders, duly sealed and signed, complete in all respects as per instructions contained in the Tender Documents, are dropped in the tender box located at the address given below on or before the closing date and time indicated in the above, failing which the tenders will be treated as late and rejected.
 5. In the event of any of the above mentioned dates being declared as a holiday/ closed day for the purchase organization, the tenders will be sold/ received/ opened on the next working day at the appointed time.
 6. The tender documents are not transferable.
 7. **No Conditional Tender** shall be accepted.
 8. All rules, regulations, orders and instructions given in the Standard Bidding Document (SBD) of the tender relating to procurement as intended shall be applicable.
 9. All rules, regulations, orders and instructions given in the Standard Bidding Document (SBD) of the tender relating to procurement as intended shall be applicable.

Mr. Chandra Kr. Kushwaha
Dy. Manager (IT)
Security Printing and Minting Corporation of India Limited
16th Floor, Jawahar Vyapar Bhawan
Janpath, New Delhi – 110001
Phone: 011-43582244
Fax: 0120-4758010
Email: info@spmcil.com/ckumar@spmcil.com

Section II: General Instructions to Tenderer (GIT)

Please refer to “<http://www.spmcil.com/spmcil/uploaddocument/git.pdf>” for further details (GIT contains 32 pages and will form part of this tender document)

Section III: Special Instructions to Tenderers (SIT)

The following Special Instructions to Tenderers will apply for this purchase. These special instructions will modify/ substitute/ supplement the corresponding General Instructions to Tenderers (GIT) incorporated in Section II. The corresponding GIT clause numbers have also been indicated in the text below:

In case of any conflict between the provision in the GIT and that in the SIT, the provision contained in the SIT shall prevail.

Sl. No.	GIT Clause No.	Topic	SIT Provision
1	11.2	Tender Currency	Bidders to quote in Indian Rupees only. Note: Bidder is requested to quote price within 2(Two) decimal place, Quotation with price quoted beyond 2(Two) decimal places will be ignored.
2	14	PVC Clause & Formula	The price should be firm & fixed during the currency of the contract.
3	18.2, 35.2, 35.3	EMD, Additional Factors for Evaluation of offers, Price Preference	Micro and Small Enterprises are eligible to get the benefits under "Public Procurement Policy for Micro & Small Enterprises (MSEs) Order 2012" as notified by the Government of India, Ministry of Micro, Small & Medium Enterprises, New Delhi vide Gazette Notification dated 26.03.2012. The major benefits allowed are as under: <ul style="list-style-type: none"> i. Issue of tender sets free of cost, ii. Exemption from payment of Earnest Money Deposit (EMD), iii. In tender participating MSEs quoting price within price band of L1+15 per cent shall also be allowed to supply a portion up to 20% of requirement by bringing down their price to L1 Price where L1 is non MSEs." iv. Government of India, Ministry of Micro, Small & Medium Enterprises Policy Circular No.1(2)(1)2016-MA dated 10.03.2016. As per the Para 4 of the circular "In exercise of Para 16 of Public Procurement Policy for Micro and Small Enterprises Order 2012, prior turnover and prior experience with respect to Micro and Small Enterprises in all public procurement subject to meeting of quality and technical specifications shall be relaxed.
4	18.5	Earnest Money Deposit (EMD)	Rs.4,24,800/- (Rupees four lakh twenty four thousand eight hundred only) and should be valid up to a period of forty five days beyond validity of the tender.
5	19	Tender Validity	One Hundred and Eighty (180) days from the last date of submission of bid.
6	20.8	Signing and Sealing of Tender	Tender will consist of Three bid system (PQB, Techno-Commercial bid & Financial bid)

Part C: SBD: Section III: Special Instructions to Tenderers (SIT)

7	51.2	Pre-qualification Bidding	This is a three bid tender. Initially the first packet containing PQB would be opened and evaluation would be done as per Qualification Criteria mentioned in Section IX. Thereafter the rest of tender would be handled as a two bid system for only those bidders who qualify in PQB.
8	43	Parallel Contracts	NOT APPLICABLE
9	52.3	Pre-Production Sample	NOT APPLICABLE

Section IV: General Conditions of Contract (GCC)

Please refer to “<http://www.spmcil.com/spmcil/uploaddocument/gcc.pdf>” for further details
(GCC contains 28 pages and will form part of this tender document)”

Section V: Special Conditions of Contract (SCC)

The following Special Conditions of Contract (SCC) will apply for this purchase. The corresponding clauses of General Conditions of Contract (GCC) relating to the SCC stipulations have also been incorporated below. These Special Conditions will modify/ substitute/ supplement the corresponding (GCC) clauses.

Whenever there is any conflict between the provision in the GCC and that in the SCC, the provision contained in the SCC shall prevail.

S. No	GCC Clause No.	Topic	SCC Provision
1	5	Country of Origin	NOT APPLICABLE
2	8	Packing and marking	NOT APPLICABLE
3	10	Terms of Delivery	The Job Work to be done as per Section VI: List of Requirement, immediately after Agreement/Contract and will be valid initially for 3(three) year which can be extended for one more year on satisfactory completion of the contract on same terms and conditions.
4	9.4	Pre-Service Inspection	NOT APPLICABLE
5	19.3	Option Clause	Purchaser reserves the right to increase the duration of the contract up to a maximum of 25% of the contracted period.
6	21.2	Taxes and Duties	If the tenderer fails to include taxes & duties in the tender, no claim thereof will be considered by the purchaser afterwards.
7	22.3, 22.4, 22.6	Terms and mode of payment	<ul style="list-style-type: none"> i. The payment shall be on quarterly basis. The contractor shall submit his bill in triplicate duly pre- receipted to the concerned officer SPMCIL. ii. No extra pay and allowance and other facilities etc. will be provided by SPMCIL to the contractor/manpower supplier firm in any circumstances.

Section VI: List of Requirements

ACRONYMS	
AMC	Annual Maintenance Contract
AC	Air Conditioner
BMS	Building Management System
BOM	Bill of Material
DAS	Direct Attached Storage
DC	Data Center
DIT	Department of Information Technology
DMS	Document Management System
DMZ	Demilitarized Zone
DRC	Disaster Recovery Centre
EPABX	Electronic Private Automated Branch Exchange
ISDN	Integrated Services Digital Network
IPS	Intrusion Prevention Systems
LAN	Local Area Network
MISTP	Multi-Instance Spanning Tree Protocol
MPLS	Multi-Protocol Label Switching
NLD	National Long Distance
NMS	Network Management System
PAC	Precision Air Conditioner
RAID	Redundant Array of Independent Disks
RFID	Radio Frequency Identification
RPO	Recovery Point Objective
RSTP	Rapid Spanning Tree Protocol
RTO	Recovery Time Objective
RPS	Redundant Power Supply
SATA	Serial Advance Technology Attachment
SLA	Service Level Agreement
SNMP	Simple Network Management Protocol
SPMCIL	Security Printing and Minting Corporation of India Limited
STP	Spanning Tree Protocol
TAS	Time Attendance System
UPS	Uninterrupted Power Supply
VLAN	Virtual Local Area Network
WAN	Wide Area Network

1. Requirement Description

SPMCIL has implemented a corporate wide SAP ERP system in order to integrate all its business processes and sub-processes into a single unified system to efficiently achieve the business goals. The implemented SAP ERP system manages the business plans and policies of SPMCIL in an efficient manner under strict deadlines. The system is designed for high performance and reliability in order to negate any production loss due to inefficiency of the system. SPMCIL has state of the art IT infrastructure in place with Tire-III Data Center (DC) & Disaster Recovery Center (DRC). The implemented IT infrastructure performs high on reliability, availability, resilience, flexibility and scalability.

SPMCIL, through this tender document, aims to get MPLS link connectivity between its 9 Units, Corporate Office and connection to its Data Center at IGM Noida and Disaster Recovery Center at IGM, Hyderabad that would enable SPMCIL to completely realize the benefits of implemented SAP ERP system.

2. SPMCIL Business Locations

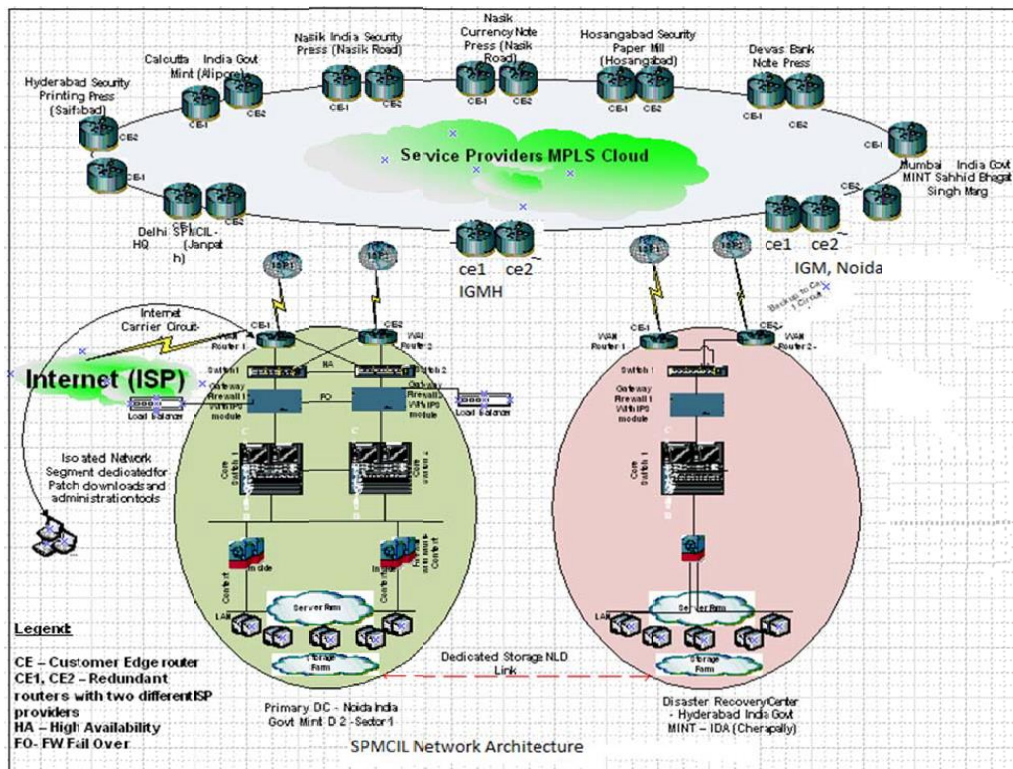
The SPMCIL's production units have been classified in to various broad areas like Coin Minting, Currency Note Printing, Security Printing Presses and Security Paper Mill. The location of units is given in below table:

S. No.	Units	Location
1	India Govt. Mint	Mumbai, Maharashtra
2	India Govt. Mint	Hyderabad (Cheralapally), Telangana
3	India Govt. Mint	Kolkata, West Bengal
4	India Govt. Mint	NOIDA, Uttar Pradesh
5	Currency Note Press	Nasik, Maharashtra
6	Bank Note press	Dewas, Madhya Pradesh
7	India Security press	Nasik Road, Maharashtra
8	Security printing press	Hyderabad (Saifabad), Telangana
9	Security Paper Mill	Hoshangabad, Madhya Pradesh
10	SPMCIL Corporate Office	New Delhi

3. Network architecture & its support

SPMCIL has a centralized best-in-class network architecture based out of its Data Center (at IGM, Noida) and Disaster Recovery Center (at IGM, Hyderabad). The units of SPMCIL across the locations are connected to the centralized network through WAN connectivity, so that the users from various units of SPMCIL can access the SAP ERP systems without any performance degradation issues. The WAN connectivity is enabled with MPLS (wired) links and has full redundancy, provided by two distinct service providers (wired) with their **own non-sharing link, i.e. Single POP.**

The Data Center is connected to the MPLS WAN with the provision of Customer Edge and Provider Edge Routers. The Data Center is connected to the MPLS WAN with the provision of Customer Edge and Provider Edge Routers.



The above Network design should be considered by the bidder to maintain the existing Network Architecture.

- The Network Architecture is utilizing the MPLS core network for carrying the data traffic across the SPMCIL units. The bidder should ensure that the MPLS service must be provided by dual, distinct service providers wired on two different non-sharing networks for redundancy with a Single Hop.
- A key requirement of the network is having sufficient redundancy in the network to eliminate any single point of failure. The network is so designed, to ensure that failure of any single switch, router or WAN link does not affect the ERP Services. The network is run on dynamic routing protocols to ensure that alternate paths are available during such failure. There is no requirement for any manual intervention for re-routing of traffic and there is no disruption in service. Bidder has to ensure to provide the same.
- All the Routers collect the traffic in TCP/IP format and transport them to Data Center.
- The Data center is at the top of the network hierarchy and is the node where the entire traffic from all the units/routers after being transported through the MPLS network, finally terminates. The feature of existing network architecture for DC and DR as follows:
- The data center contains all the ERP servers and workstations related to Authentication, Application, Database and Network management. The network components include Customer Edge (CE) Routers, Ethernet LAN switches, Load Balancing layers, Firewall appliance & Antivirus server, DNS Appliances inside & outside the DMZ and Network Management System (NMS), etc.
- The Data Center has two CE Routers for redundancy, which enable the connectivity from the MPLS network to the Data center.
- The Data Center is also connected via the dual Service Provider based NLD (National Long Distance) connectivity to the Disaster Recovery. This is to ensure the business continuity in the event of WAN link and/or node failure at Data Center.
- The Data Center has redundant FC-IP Routers connected with SAN Switches for SAN based replication.

4. MPLS:

Multi-Protocol Label Switching (MPLS) has been implemented in SPMCIL environment for directing and transferring the data between Wide Area Network nodes without compromising on the performance irrespective of the content of the data. As the SPMCIL business relies on the critical sensitive data manipulation, the highly scalable data carrying mechanism and the ease of creating virtual connectivity links between the nodes shall become inevitable for the operational enhancements.

4.1 MPLS Bandwidth Requirement:

The bidder should provide the link connectivity of 2 mbps wired (OFC) bandwidth at each of the units. Bidder should supply & maintain 20 Mbps (wired) bandwidth as DC link and 15 Mbps (wired) as DR link, from two distinct service providers with their **own non-sharing link, i.e. Single POP.**

SPMCIL will provide sufficient space and power for the installation of requisite devices at DC, DR and units of SPMCIL.

4.2 National Long Distance (NLD)

For the SAN based asynchronous data replication between the DC and DR, the redundant NLD service methodology is applicable in the SPMCIL landscape. The bidder should ensure the attainment of the RTO & RPO requirements while deploying the dedicated NLD without having an overlap on the MPLS.

4.3 Service Level Agreement (SLA)

4.3.1 Conditions

The Bidder must adhere to the following parameters to sign service level agreement:

a) Operation of Network -	24x7x365 basis
b) Each Circuit Uptime % on Monthly basis -	99.50%
c) Latency (max.) -	Latency of less than 50 msec from the CPE router
d) Average Time to Repair Link Failures:-	If the repair is of service nature then < 4 Hours. If the Repair/Replacement of CPE/MUX is required (as per SPMCIL observation) then <12 hours. (MTTR from each link until CPE)
e) Packet loss on each link -	< 1 %
f) Average Maintenance Outage per month -	Two hour (with prior notice and confirmation from SPMCIL)
g) Link Fail over/redundancy occurs -	Within 120 ms
h) Fault reporting Help Desk (Toll Free) -	24x7x365

4.4 Calculation of Service Level Agreement

Payment will be made on a quarterly basis & Non-performance charges for downtime will be calculated on a monthly basis. Quarterly payment will be made after the deduction of the penalties.

Penalties will be calculated on individual link basis, which is based on below defined penalty clause.

Link uptime: the guarantee Uptime of 99.50% of each circuit will be calculated separately on monthly basis

4.4.1 Uptime Penalty in % of total Monthly and quarterly payment. Penalty will be calculated on the link basis

Uptime	Penalty (% , Percentage)
>=99.5	0
> 98.5 to < 99.5	10
> 97 to < 98.5	20
> 95 to < 97	30
> 90 to < 95	70
< 90 %	----- 100

4.4.2 Down time due to the following situations will not be considered for the purpose of penalty calculation for downtime:

- Link down due to power failure and CPE (Customer Premises Equipment's) switch off at the respective locations.
- Scheduled maintenance by the vendor, with prior intimation.

4.5 Monitoring and reporting:

4.5.1. The Service provider should submit Monthly and Quarterly Reports indicating the % of uptime during that Month and Quarter for each link.

4.5.2. Service provider should provide tool to customer for on-line monitoring of performance of link(s).

4.5.3. Customer can view following on the on-line portal, on per link basis

4.6 Delayed commissioning of links

Penalty shall be levied @ 0.5% per week for late link commissioning subject to maximum of 10%, if the link is not commissioned within the stipulated time.

The penalty for link commissioning shall be applied for the delayed period, on the cost of that respective link for the annual rent for that location/site. (Delay in service after commissioning of link may also be considered.)

5. Completion period

5.1 Bidder has to complete initially the site survey of DC, DR and all units (including Corporate Office, at Janpath New Delhi) sites within 5 days from the date of award of contract to the successful bidder has to commission links at DC, DR and all units including corporate office (with alternate service providers) within two weeks from the date of award of contract to the successful bidder.

5.2 It is the responsibility of bidder to carry out all required internal cabling till the point of termination i.e. SPMCIL end point location where router is placed.

5.3 Cabling should be neat and clean with proper tagging and duct by the bidder without any additional cost to the SPMCIL.

5.4 Bidder has to coordinate SPMCIL integrator and SPMCIL IT Team for successful link delivery with tested load. Delay in commissioning of links will attract applicable Liquidated Damage / Penalty as per the terms of this Tender document.

6. Maintenance Support.

SPMCIL is procuring primary/secondary MPLS network to connect all 9 units and corporate office to its data center and DRC, and also have redundancy in their WAN network for connected units of SPMCIL, including corporate office, DC and DR site.

Bidder has to provide Proactive maintenance support for all links provided by them. All links has to be monitored on Real time basis through bidder's NMS (Network Monitoring System) tool which should be accessible from the SPMCIL WAN(office) at DC/DR location by SPMCIL team at any point of time.

Bidder has to advise the portal to SPMCIL for reviewing the all connected links for bandwidth utilization, down call, and incidence reported, fault ticket status, fault ticket logging etc.

Bidder should ensure all links should be monitored proactively i.e. as and when link went down a fault ticket has to be created by the bidder NMS automatically and alert should be given to SPMCIL team or designated SPMCIL officials by email and SMS.

The bidder shall provide service support at all locations and ensure uptime

Bidder has to provide all kind of reports which are going to be used for SLA calculation in a mutually agreed format Bidder to ensure to take all preventive measures to protect MPLS Network deployed for SPMCIL against any kind of vulnerabilities, which are released from time to time basis globally. SPMCIL has full rights to ask the confirmation from the successful bidder in writing for prevention from such vulnerabilities.

Bidders monitoring tool must have Real time dash board showing summary of the network like number of up and down units, and links in form of pie chart, bar graph and percentage etc. or as advised by SPMCIL.

Bidder must provide the services on monitoring tool to extract information unit wise/entire locations. Bidder monitoring tool must have customization facility as per SPMCIL requirement

7. DURATION OF CONTRACT

The initial contract period for the services shall be 3 (Three) years from the date of installation, commissioning and acceptance of link unless terminated by the SPMCIL before due date. SPMCIL at its own discretion may extend the contract for a further period of 1 (one) year. Subject to satisfactory performance of vendor on same terms and conditions.

Section VII: Technical Specifications

(Refer section VI List of Requirement)

SPMOCHE

Section VIII: Quality Control Requirements

Service Delivered not in conformity with tender specification will be treated as service not delivered at all. Service shall be delivered by the service provider in accordance with the terms and conditions specified in the contract failing which expenses may be levied on supplier.

SPM/CIL

Section IX: Qualification/ Eligibility Criteria

Eligible Criteria for Bidders

The bidders should meet the following minimum qualification criteria to submit their offer towards this tender notice. The bidders need to submit supporting documents to substantiate their eligibility.

Sr.No		
1.	Experience and past experience	<p>Bidder/Firm Should have experience in</p> <p>i) The bidder should be a company incorporated in India. It must be a telecom service provider in India at least for the last 5 years having MPLS VPN license</p> <p style="text-align: center;">and</p> <p>ii) The Bidder should have executed minimum one orders each of minimum 50 network installations (links) after 01.04.2011 in the respective zone in which it is bidding. Orders should belong to companies which are PSU/ Govt. Organization/MNC/ BFSI/ Financial Institution etc.</p>
2.	Capability	<p>i) The bidder should have own access network license for providing the last mile from the competent regulatory authority for providing terrestrial links in India.</p> <p>ii) The Bidder should either be a layer 3 MPLS VPN Service Provider under the License of Government of India or a National Long Distance (NLD) / Basic Service Operator having own MPLS VPN network.</p> <p>iii) The Bidder should have their own Network Operation Centre (NOC) in India for monitoring / maintenance of MPLS network at its own premises or they should have leased signed for the period of next 5 years. The bidder's NOC should be in existence for last 3 years.</p> <p>iv) The bidder should not have been black listed by any of Government Authority or Public Sector Undertaking (PSUs). The bidder shall give an undertaking (on their letter head) that they have not been black listed by any of the Govt. Authority or PSUs. In case, in the past, the name of their Company was black listed by any of the Govt. Authority or PSUs, the name of the company or organization must have been removed from the black list as on date of submission of the tender, otherwise the bid will not be considered .</p> <p>v) The Bidder should have valid certifications (ISO 9001:2008 or ISO 27001 and BS7799 / TL 9000) for the MPLS VPN Network infrastructure.</p>
3.	Financial standing	<p>i) Average Annual turnover of the bidder firm during last three financial years ending 31.03.2017 should be more than Rs.21.24 lacs</p> <p>ii) Bidder Firm should not have suffered any financial loss for more than one year during the last Three financial years ending 31.03.2017</p> <p>iii) The net worth of the firm should not have eroded by more than 30% in the last three financial year ending 31.03.2017.</p>

- All experience, past performance and capacity/capability related/ data should be certified by the authorized signatory of the bidder firm. The credentials regarding experience and past performance to the extent required as per eligibility criteria submitted by bidder should be verified from the parties for whom work has been done.
- All financial standing data should be certified by certified accountant's e.g. Chartered Accounts (CA) in India and Certified Public Accountant/Chartered Accountants of other countries. Bidder to furnish stipulated documents in support of fulfillment of qualifying criteria. Non-submission or incomplete submission of documents may lead to rejection of offer.

Section X: Tender Form

Date.....

To

Dy. Manager (IT)

Security Printing and Minting Corporation of India Ltd.

16th Floor, Jawahar Vyapar Bhawan, Janpath, New Delhi-110001

Ref: Your Tender document No.dated

We, the undersigned have examined the above mentioned tender enquiry document, including amendment No. -----, dated ----- (if any), the receipt of which is hereby confirmed. We now offer to supply and deliver..... (description of goods and services) in conformity with your above referred document for the sum as shown in the price schedule(s), attached herewith and made part of this tender.

If our tender is accepted, we undertake to supply the goods and perform the services as mentioned above, in accordance with the delivery schedule specified in the List of Requirements.

We further confirm that, if our tender is accepted, we shall provide you with a performance security of required amount in an acceptable form in terms of GCC clause 6, read with modification, if any, in Section V – “Special Conditions of Contract”, for due performance of the contract.

We agree to keep our tender valid for acceptance for a period upto -----, as required in the GIT clause 19, read with modification, if any in Section-III – “Special Instructions to Tenderers” or for subsequently extended period, if any, agreed to by us. We also accordingly confirm to abide by this tender upto the aforesaid period and this tender may be accepted any time before the expiry of the aforesaid period. We further confirm that, until a formal contract is executed, this tender read with your written acceptance thereof within the aforesaid period shall constitute a binding contract between us.

We further understand that you are not bound to accept the lowest or any tender you may receive against your above-referred tender enquiry.

.....

(Signature with date)

.....

(Name and designation)

Duly authorized to sign tender for and on behalf of

Section XI: Price Schedule

(TO BE FURNISHED IN A SEPARATE SEALED ENVELOPE)

Date:

Dy. Manager (IT),

Security Printing & Minting Corporation of India Ltd
16th Floor, Jawahar Vyapar Bhawan
Janpath, New Delhi – 110 001
INDIA

Dear Sir,

**Sub: Price Bid in Response to Tender Document
(Tender Document Number dated)**

For providing the three years comprehensive support services as mentioned in the above tender document, the following is the total lump sum price covering all taxes, duties and statutory levies as on the date of submission of the bid (Total Bid Price).

1. TOTAL QUOTED PRICE (In figures) ₹. _____
2. TOTAL QUOTED PRICE (In words) Rupees _____

The breakup of the above lump sum price is given in the tables below: (Table -1 to 15)

Thanking you,

Yours faithfully,

**<Seal and Signature of Authorized Signatory>
<Name of Authorized Signatory>
<Title of Authorized Signatory>**

Table-1

Sl. No.	Location	Bandwidth (Rs.) A	Taxes (Rs.) B	Total(Rs.) C=A+B
1	20 Mbps DC tunnel, Noida			
2	15 Mbps DRC tunnel, Hyderabad			
3	2 Mbps Corporate office New Delhi			
4	2 Mbps (MPLS link) India Govt. Mint, Mumbai,			
5	2 Mbps (MPLS link)India Govt. Mint, Hyderabad			
6	2 Mbps (MPLS link)India Govt. Mint, Kolkata			
7	2 Mbps (MPLS link)India Govt. Mint, Noida			
8	2 Mbps (MPLS link)Currency Note Press, Nasik Road			
9	2 Mbps (MPLS link)Bank Note press, Dewas			
10	2 Mbps (MPLS link)India Security press, Nasik Road			
11	2 Mbps (MPLS link)Security printing press, Hyderabad (Saifabad)			
12	2 Mbps (MPLS link)Security Paper Mill, Hoshangabad			
				Grand Total

1) Price bid format for MPLS at DC Noida:

Bandwidth at DC, IGM- Noida	No. of connection	Annual charges	Charges for 3years	% tax /GST	Total Tax	Total
	a	b	c=axbx3	D	e=cxd	c+e
20 MBPS Bandwidth at DC (First	1					
20 MBPS Bandwidth at DC (Second	1					

2) Price Bid format for MPLS link DRC Hyderabad

Bandwidth at DRC, IGM- Hyderabad	No. of connection	Annual charges	Charges for 3years	% tax /GST	Total Tax	Total
	a	b	c=axbx3	D	e=cxd	c+e
15 MBPS Bandwidth at DC (First	1					
15 MBPS Bandwidth at DC (Second	1					

3) Price Bid format for MPLS link corporate office, New Delhi

Bandwidth at Corporate Office, New Delhi	No. of connection	Annual charges	Charges for 3years	% tax/ GST	Total Tax	Total
	a	b	c=axbx3	D	e=cxd	c+e
2 MBPS Bandwidth at DC (First	1					
2 MBPS Bandwidth at DC (Second vendor)	1					

4. Price bid format for Bank Note press, Dewas (MP)

Bandwidth at BNP, Dewas	No. of connection	Annual charges	Charges for 3years	% tax/GST	Total Tax	Total
	a	b	c=axbx3	d	e=cxd	c+e
2 MBPS Bandwidth at DC (First vendor)	1					
2 MBPS Bandwidth at DC (Second vendor)	1					

5. Price bid format for Security Paper Mill, Hosangabad

Bandwidth at SPM, Hosganbad	No. of connection	Annual charges	Charges for 3years	% tax/GST	Total Tax	Total
	a	b	c=axbx3	d	e=cxd	c+e
2 MBPS Bandwidth at DC (First vendor)	1					
2 MBPS Bandwidth at DC (Second vendor)	1					

6. Price bid format for India government Mint, Mumbai

Bandwidth at IGM, Mumbai	No. of connection	Annual charges	Charges for 3years	% tax/GST	Total Tax	Total
	a	b	c=axbx3	d	e=cxd	c+e
2 MBPS Bandwidth at DC (First vendor)	1					
2 MBPS Bandwidth at DC (Second vendor)	1					

7. Price bid format for Currency note Press Nashik

Bandwidth at Currency note Press, Nashik	No. of connection	Annual charges	Charges for 3years	% tax/GST	Total Tax	Total
	a	b	c=axbx3	d	e=cxd	c+e
2 MBPS Bandwidth at DC (First vendor)	1					
2 MBPS Bandwidth at DC (Second vendor)	1					

8. Price bid format for ISP, Nashik

Bandwidth at ISP, Nashik	No. of connection	Annual charges	Charges for 3years	% tax/GST	Total Tax	Total
	a	b	c=axbx3	d	e=cxd	c+e
2 MBPS Bandwidth at DC (First vendor)	1					
2 MBPS Bandwidth at DC (Second vendor)	1					

9. Price bid format for SPP, Hyderabad

Bandwidth at SPP, Hyderabad	No. of connection	Annual charges	Charges for 3years	% tax/GST	Total Tax	Total
	a	b	c=axbx3	d	e=cxd	c+e
2 MBPS Bandwidth at DC (First vendor)	1					
2 MBPS Bandwidth at DC (Second vendor)	1					

10. Price bid format for IGM, Hyderabad

Bandwidth at IGM, Hyderabad.	No. of connection	Annual charges	Charges for 3years	% tax/GST	Total Tax	Total
	a	b	c=axbx3	d	e=cxd	c+e
2 MBPS Bandwidth at DC (First vendor)	1					
2 MBPS Bandwidth at DC (Second vendor)	1					

Part C: SBD: Section XI: Price Schedule

11. Price Bid format for IGM, Kolkata

Bandwidth at IGM, Kolkata	No. of connection	Annual charges	Charges for 3years	% tax/GST	Total Tax	Total
	a	b	c=axbx3	d	e=cxd	c+e
2 MBPS Bandwidth at DC (First vendor)	1					
2 MBPS Bandwidth at DC (Second vendor)	1					

12. Price bid format for IGM, Noida

	No. of connection	Annual charges	Charges for 3years	% tax/GST	Total Tax	Total
	a	b	c=axbx3	d	e=cxd	c+e
2 MBPS Bandwidth at DC (First vendor)	1					
2 MBPS Bandwidth at DC (Second vendor)	1					

SPMCL

Section XII: Questionnaire

The tenderer should furnish specific answers to all the questions/ issues mentioned below. In case a question/ issue does not apply to a tenderer, the same should be answered with the remark "not applicable".

Wherever necessary and applicable, the tenderer shall enclose certified copy as documentary proof/ evidence to substantiate the corresponding statement.

In case a tenderer furnishes a wrong or evasive answer against any of the under mentioned question/ issues, its tender will be liable to be ignored.

1. Brief description of services offered:
2. Offer is valid for acceptance upto
3. Your permanent Income Tax A/C No. as allotted by the Income Tax Authority of Government of India.
4. Status :
 - a) Are you currently registered with the Directorate General of Supplies & Disposals (DGS&D), New Delhi, and/ or the National Small Industries Corporation (NSIC), New Delhi, and/ or the present SPMCIL and/ or the Directorate of Industries of the concerned State Government for the goods quoted? If so, indicate the date up to which you are registered and whether there is any monetary limit imposed on your registration.
 - b) Are you currently registered under the Indian Companies Act, 1956 or any other similar Act?

Please attach certified copy(s) of your registration status etc. in case your answer(s) to above queries is in affirmative.

5. Please indicate name & full address of your Banker(s) :
6. Please state whether business dealings with you currently stand suspended/ banned by any Ministry/ Deptt. of Government of India or by any State Govt.

.....
(Signature with date)

.....
(Full name, designation & address of the
Person duly authorized sign on behalf of the tenderer)

For and on behalf of
.....
(Name, address and stamp of the tendering firm)

Section XV: Bank Guarantee Form for Performance Security

_____ [insert: Bank's Name, and Address of Issuing Branch or Office]
Beneficiary: _____ [insert: Name and Address of SPMCIL]
Date: _____
PERFORMANCE GUARANTEE No.: _____

WHEREAS (name and address of the supplier) (hereinafter called "the supplier") has undertaken, in pursuance of contract no..... dated to supply (description of goods and services) (herein after called "the contract").

AND WHEREAS it has been stipulated by you in the said contract that the supplier shall furnish you with a bank guarantee by a scheduled commercial bank recognized by you for the sum specified therein as security for compliance with its obligations in accordance with the contract;

AND WHEREAS we have agreed to give the supplier such a bank guarantee;

NOW THEREFORE we hereby affirm that we are guarantors and responsible to you, on behalf of the supplier, up to a total of (amount of the guarantee in words and figures), and we undertake to pay you, upon your first written demand declaring the supplier to be in default under the contract and without cavil or argument, any sum or sums within the limits of (amount of guarantee) as aforesaid, without your needing to prove or to show grounds or reasons for your demand or the sum specified therein.

We hereby waive the necessity of your demanding the said debt from the supplier before presenting us with the demand. We further agree that no change or addition to or other modification of the terms of the contract to be performed thereunder or of any of the contract documents which may be made between you and the supplier shall in any way release us from any liability under this guarantee and we hereby waive notice of any such change, addition or modification.

We undertake to pay SPMCIL up to the above amount upon receipt of its first written demand, without SPMCIL having to substantiate its demand.

This guarantee will remain in force for a period of sixty days after the currency of this contract and any demand in respect thereof should reach the Bank not later than the above date.

.....
(Signature of the authorized officer of the Bank)

.....
Name and designation of the officer

.....
Seal, name & address of the Bank and address of the Branch

.....
Name and designation of the officer

.....
Seal, name & address of the Bank and address of the Branch

Section XVII: Letter of Authority for attending a Bid Opening

(Refer to clause 24.2 of GIT)

To

Dy. General Manager (IT)-I/C

Security Printing and Minting Corporation of

India Ltd. 16th Floor, Jawahar Vyapar Bhawan

Janpath, New Delhi – 110 001 INDIA

Subject: Authorization for attending bid opening on _____(date) in the
Tender of

_____.

Following persons are hereby authorized to attend the bid opening for the tender mentioned above on behalf of _____(Bidder) in order of preference given below.

Order of Preference	Name	Specimen Signatures
I.		
II.		
Alternate Representative		
Signatures of bidder or Officer authorized to sign the bid Documents on behalf of the bidder.		

Note:

1. Maximum of two representatives will be permitted to attend bid opening. In cases where it is restricted to one, first preference will be allowed. Alternate representative will be permitted when regular representatives are not able to attend.

2. Permission for entry to the hall where bids are opened may be refused in case authorization as prescribed above is not produced.

MANDATORY CHECKLIST**(To be submitted along with Tender)**

Note:

1. It is mandatory to submit all the supportive documents in respect of Past Experience, Financial Standing and other documents as mentioned in Section VI, VII & IX of tender document. Please note that if any of the documents as asked in the Section VI, VII & IX of tender document are not submitted along with your offer then your offer is liable for rejection.
2. No price component has to be mentioned in Pre-qualification Bid & Techno-commercial Bid otherwise offer will be rejected.

S.No.	Description	Yes/No
1	Tender submitted in Three Bid.	
2	The Tender should be submitted in Hindi/English Language. The authenticated copies of the documents in support of the applicant's claims may be submitted in Hindi/English Language.	
3	Tender Fee & EMD to be submitted in Pre-Qualification Bid.	
4	All experience, past performances related data e.g. work order/contract copy, invoice copy, and all experience certificate etc. to be enclosed in Pre- Qualification Bid.	
5	For financial standing criteria, enclosed Balance Sheets and Profit & Loss Accounts of required financial years i.e. 2014-15, 2015-16 and 2016-17 as mentioned in section IX duly certified by certified accountants e.g. Chartered Accountants (CA) in India & certified Public Accountant/Chartered Accountant in other countries. To be enclosed in Pre-Qualification Bid.	
6	Provided the Names of Organization(s) / Firm(s) with Address & Telephone Numbers, Fax Numbers, E-mail addresses to which they have supplied similar type of services during last five years. To be enclosed in Pre-Qualification Bid.	
7	Power of attorney/Authorization indicating that authorized signatory is competent & legally authorized to submit the tender and /or enter into legally binding contract. To be enclosed in Pre-Qualification Bid.	
8	Sealed & signed copy of tender document, as a token of acceptance of all terms & conditions. To be enclosed in Techno-commercial.	
9	A copy of Blank Price Bid Proforma by leaving blank the price portion (i.e. showing the unit, currency & total price of the item/ material offered as xxxxx) so as to indicate the item/ material being offered. To be enclosed in Techno-commercial.	
10	Copy of PAN/TAN number / VAT/TIN number. To be enclosed in Techno-commercial.	
11	Tender validity 180 days given.	
12	Delivery Period accepted as per tender.	
Signature and Seal of bidder		

*******End of Tender Document*******